

# Evolution Extraction Arm

## No-Smoke Self Supporting

- X Available in enamel, aluminum, stainless steel, and ATEX explosion proof construction
- X 4", 6", 7", 8" & 10" Diameters
- X 7', 9', 10' & 14' Lengths
- X Wall or Bench Mount Models
- X Patented External Joint
- X Rotary Bearing 360° Rotation
- X Optional High-Efficiency Fan For External Exhaust
- X Inline Airflow Damper
- X Optional Light Kit



1-800-267-5585  
www.qamanage.com

ULTRA-FLOW is the industry leader in extraction arms for highly effective source capture of fumes, smoke, dust and gases produced by a wide variety of industrial processes.

### Operating Principle

Contaminated air is captured by the fully adjustable hood and exhausted through scratch-resistant enamel coated aluminum tubes. Contaminants may be exhausted to a central filtration system or, with an optional high-efficiency fan, to the atmosphere, depending upon regulations.

The body and hood of the Evolution "No-smoke" Arm is coupled together by a special, patented external joint and support design that allows for easy and convenient movement.

**360° Rotation** The Evolution arm base is equipped with a custom rotary bearing which enables a 360° rotation to optimize usability. This **patented external joint design** not only offers easier operator adjustability of the arm but also results in a lower static resistance to facilitate improved contaminant capture and removal. This improved performance results in **lower operating costs**, less operating noise, and improved air quality for the operator at the workstation. Overall, this unique design enables the arm to outperform other arms available on the market.



The industry's premium solution for the extraction of welding smoke, gas vapors, aerosols, oil fumes, dust & more.



- Evolution Arm industrial application

Available in Stainless Steel

**QUALITY AIR**  
MANAGEMENT





Evolution "No-Smoke" Arm: SPECIFICATIONS

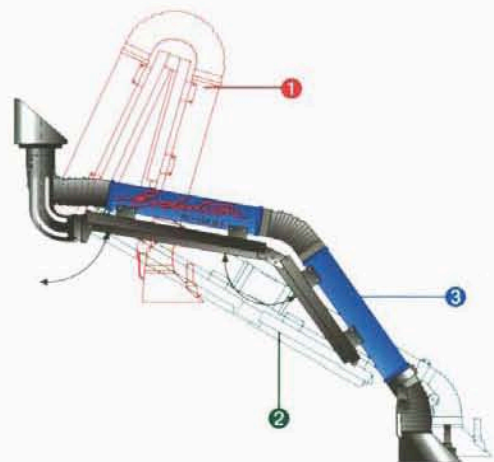
Evolution Arm Model	Diameter (inches)	Reach (feet)
E407W (or P) 100\2.1 Evolution Arm (Enamel coated)	4.0	7.0
E409W (or P) 100\2.9 Evolution Arm (Enamel coated)	4.0	9.0
E607W (or P) 150\2.1 Evolution Arm (Enamel coated)	6.0	7.0
E610W (or P) 150\3 Evolution Arm (Enamel coated)	6.0	10.0
E614W (or P) 150\4 Evolution Arm (Enamel coated)	6.0	14.0
E710W (or P) 180\3 Evolution Arm* (Aluminum)	7.0	10.0
E714W (or P) 180\4 Evolution Arm* (Aluminum)	7.0	14.0
E810W (or P) 200\3 Evolution Arm (Aluminum)	8.0	10.0
E1010W 250\3 Evolution Arm (Aluminum)	10.0	10.0
E1014W 250\4 Evolution Arm (Aluminum)	10.0	14.0
E814W (or P) 200\4 Evolution Arm (Aluminum)	8.0	14.0
WB4 Wall Bracket	4.0	N/A
WB6 Wall Bracket	6.0	N/A
WB7 Wall Bracket	7.0	N/A
WB8 Wall Bracket	8.0	N/A
WB10 Wall Bracket	10.0	N/A
W = Wall Mounted (bracket required)		
P = Portable Unit Mounted		
Fan Model	Fan Description	
No-Smoke 1.5	Fan 1.5 HP, 110 V - UL - 1-Phase (arm 6")	
No-Smoke 3.0	Fan 3 HP, 208/230/460 V - UL - 3-Phase (arm 8")	

Available Options

- Exhaust Hood Light Kit
- Spark Deflector Kit
- Stainless Steel Construction
- Extension Booms
- Wall Brackets
- Exhaust Fans



- 1 Closed Arm
- 2 Open Arm
- 3 Work Position



\*Please ask for assistance for correct fan sizing