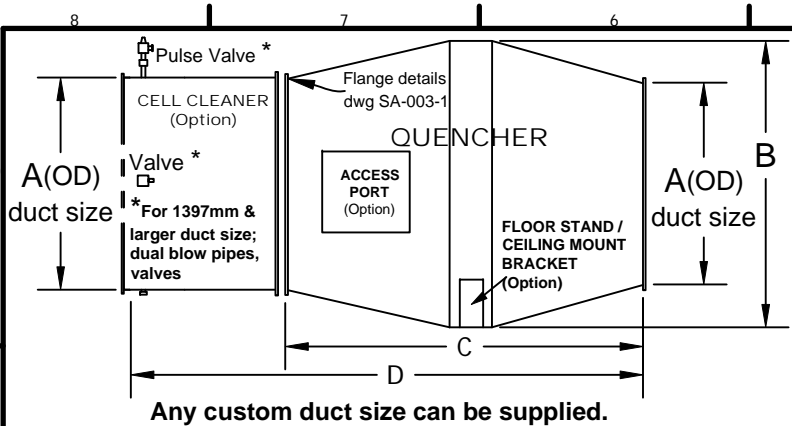


# Standard QUENCHER Spark Arrestor

## For common ducted dust collection



### CONSTRUCTION:

- Built to; ISO 9001-2008 and CWB certified
- Three styles are available;
  1. QUENCHER STANDARD MODEL (Qxxx); includes transitions upstream and downstream to duct size.
  2. QUENCHER CELL ONLY (QCxxx); can be inserted into an existing duct, of equal diameter.
  3. MINI-QUENCHER; for high pressure vacuum systems
- Products are built to North American compliance with EPA, OSHA, NFPA, SMACNA round duct standards. Compliance with local codes and standards, and accuracy of order to job site operating conditions are the responsibility of the purchaser.
- HRS welded construction; Q008 to Q048 = 14 gauge, Q060 to Q084 = 12 gauge, Q096 to Q120 = 10 gauge, good up to 343°C. Special construction available; SS=304 & 316 stainless steel, MD=medium duty for temperature above 343°C, HD=heavy duty for abrasion and tough applications.
- Reducer-transition sections are supplied at both the inlet and outlet of the Quencher cell with a slope not to exceed 15°. These transition sections are designed to adapt the QUENCHER to the most common duct sizes. Other duct sizes are available upon request.
- Paint Finish; Terra Brown RAL8028, outside surfaces, alkylne degreased, iron phosphate chemical etch, Q008 to Q072 are powder coated, Q084 TO Q120 are primed and top coat painted two part epoxy, good to 121°C. Special high temperature, corrosion and abrasion resistant finishes available upon request.
- Flanges and bolt pattern are according to the drawing SA-003 Flanges & Adapters. Others are available with purchaser's specification.
- Pressure drop is 0.23 - 0.643kPa at rated flow (Nm3/hr). It is recommended to allow at least 5 duct diameters of straight duct upstream (inlet side) and downstream (outlet side) of the QUENCHER, otherwise pressure drop will be unpredictable.
- Dust Loading of up to 80-103 grams per cubic meter can be tolerated.

### AUTOMATIC CELL CLEANER (not available with Mini-Quencher):

1. A high pressure pulse is periodically injected to the air stream which blows out accumulated debris that may have settled in the turbulence cell.
2. Standard voltage for diaphragm valve is 120 VAC/60 Hz, UL/ULC approval. Other voltages available.

### OPTIONS:

1. ACCESS PORT on upstream side of Quencher assembly, c/w piano hinge and spring latch.
2. FLOOR STAND / CEILING MOUNT BRACKET; to mount the Quencher on the floor or from the ceiling.
3. UPGRADED CONSTRUCTION; SS=304 & 316 stainless steel, MD=medium duty for above 343°C HD=heavy duty for abrasion and tough applications.
4. NON-STANDARD INLET/OUTLET connections; Custom build, adds 2-4 weeks to delivery.
5. COMPANION FLANGES; matching set of flanges for the install on the duct.
6. ROLLED EDGE adapter (for clamp together ducts); available for 152.4 to 609.6 mm duct, adds 127mm to "C" or "D" dimension.
7. SLEEVE JOINT (slip / raw edge) for slip on ducting, **not recommended for Q024 and larger models.**

**CAUTION: For conditions other than standard air (21°C, 0% RH or moisture, sea level, and refrigeration cycle effects), consult factory. Selection of any spark arrestor must be done by a professional who knows how to make necessary adjustments when dealing with conditions other than ideal standard air.**

**QAM reserves the right to change design and specifications without notice.**

### Dimensions: CU METRES/HR , MILLIMETRES, KILOGRAMS

MODEL	Nm3/hr (1) min - max	A diam.	B (2) diam.	C	D	ACCESS PORT	WEIGHT	WEIGHT w/ cell cleaner
Q008	803-1300	152	203	355	737	n/a	5	10
Q010	1284-2086	203	254	355	940	n/a	7	14
Q011	1541-2568	203	279	457	940	n/a	8	16
Q014	2408-3852	254	355	610	1194	152 x 254	14	26
Q016	3371-5296	305	406	610	1194	152 x 254	20	31
Q020	4976-8185	355	508	813	1499	254 x 254	31	45
Q024	7865-12198	457	610	864	1753	254 x 254	41	58
Q026	8667-14445	508	660	864	1753	254 x 254	43	64
Q030	11556-19,099	559	762	1118	2007	254 x 254	62	88
Q038	18,458-30,816	711	965	1372	2311	305 x 305	96	137
Q048	29,693-48,952	914	1219	1626	2718	305 x 305	151	213
Q060	46,545-76,237	1118	1524	2032	3277	457 x 457	312	414
Q072	67,410-110,745	1372	1829	2337	3734	457x 457	429	592
Q084	91,485-150,870	1575	2134	2692	4089	457 x 457	592	776
Q096	118,770-197,415	1829	2438	2997	4445	610 x 610	957	1143
Q108	150,067-249,577	2032	2743	3302	4826	610x 610	1245	1571
Q120	185,378-307,357	2235	3048	3861	5385	610 X 610	1809	2161

- (1) DO NOT Operate Below the Minimum Nm3/hr
- (2) There is a dimension tolerance of "B" + 13mm, depending on the material thickness.

COMPANY		QUALITY AIR MANAGEMENT		ALL DIMENSIONS ARE IN INCHES UNLESS STATED OTHERWISE		PROJECTION	
Phone: 1-800-267-5585		www.qamanager.com		3	2/18/2020	Created metric version	
				2	11/13/2019	added new models, deleted others	
				1	10/11/2019	replaces all previous versions	
TITLE		PAGE	DATE	SCALE	REV.	REV. DATE	REVISION DESCRIPTION
Q-series Specifications (metric)		1 OF 1	Sep 26, 2019	NTS			
						DWG. NO. SA-001-2	